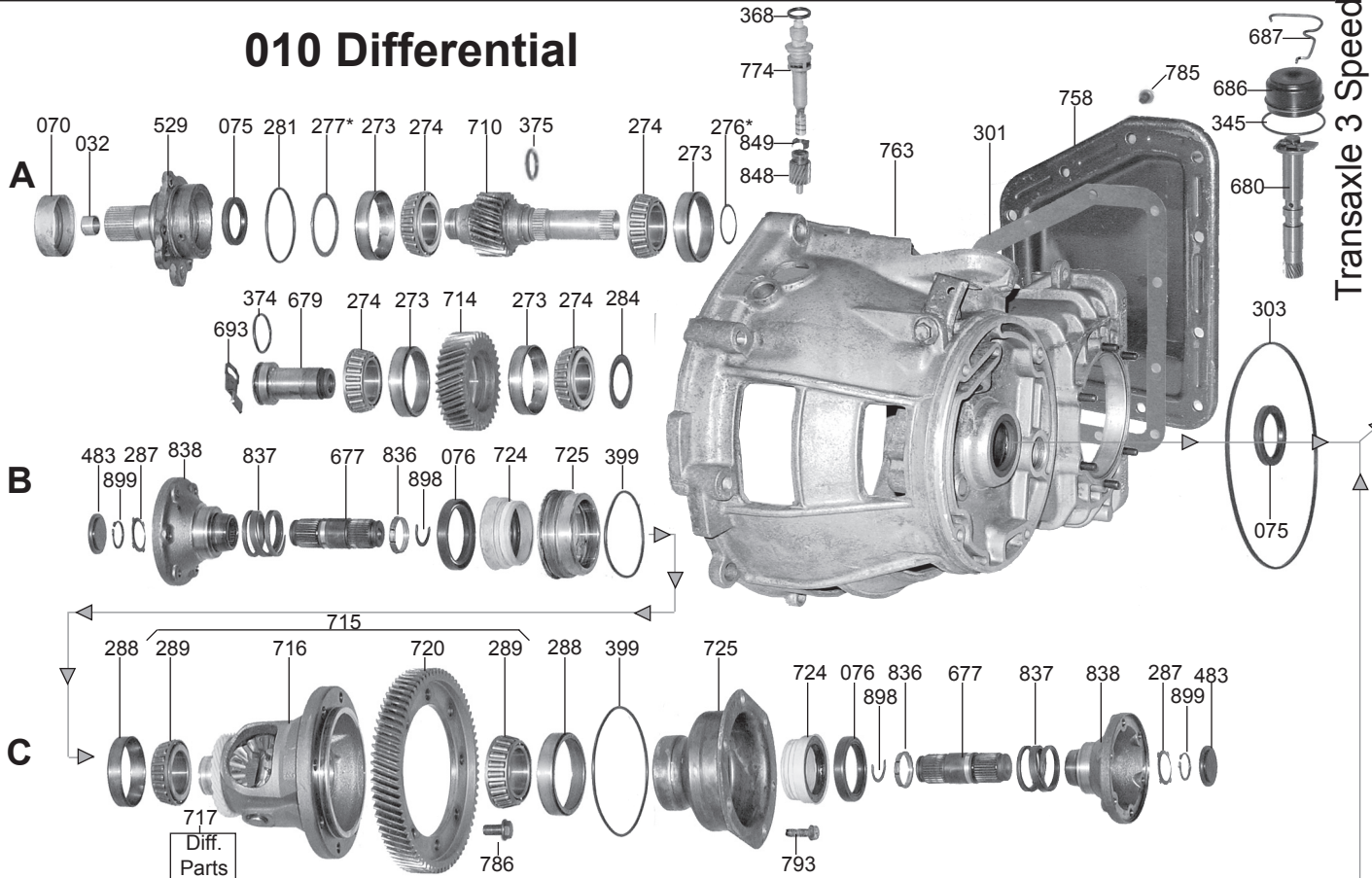
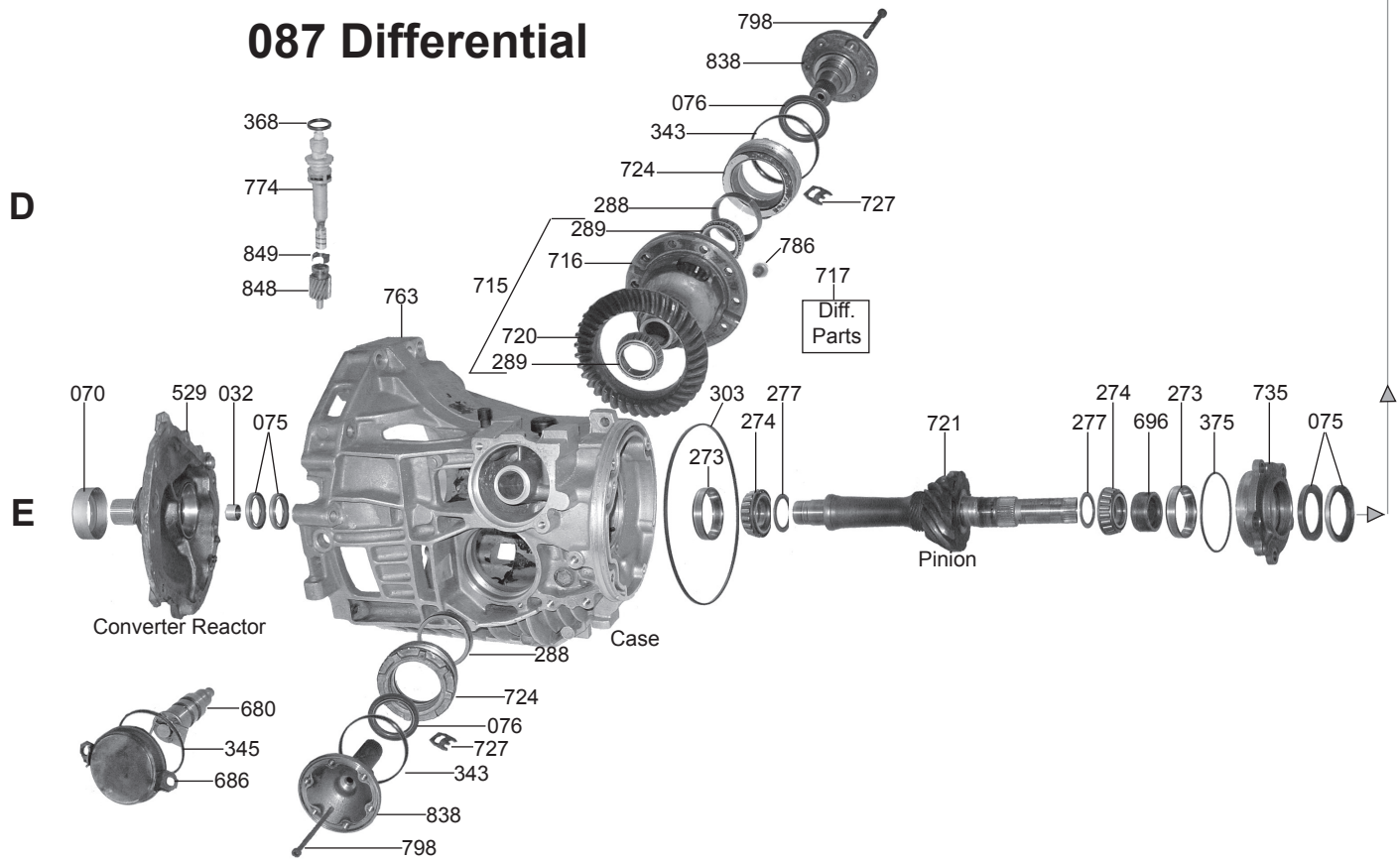


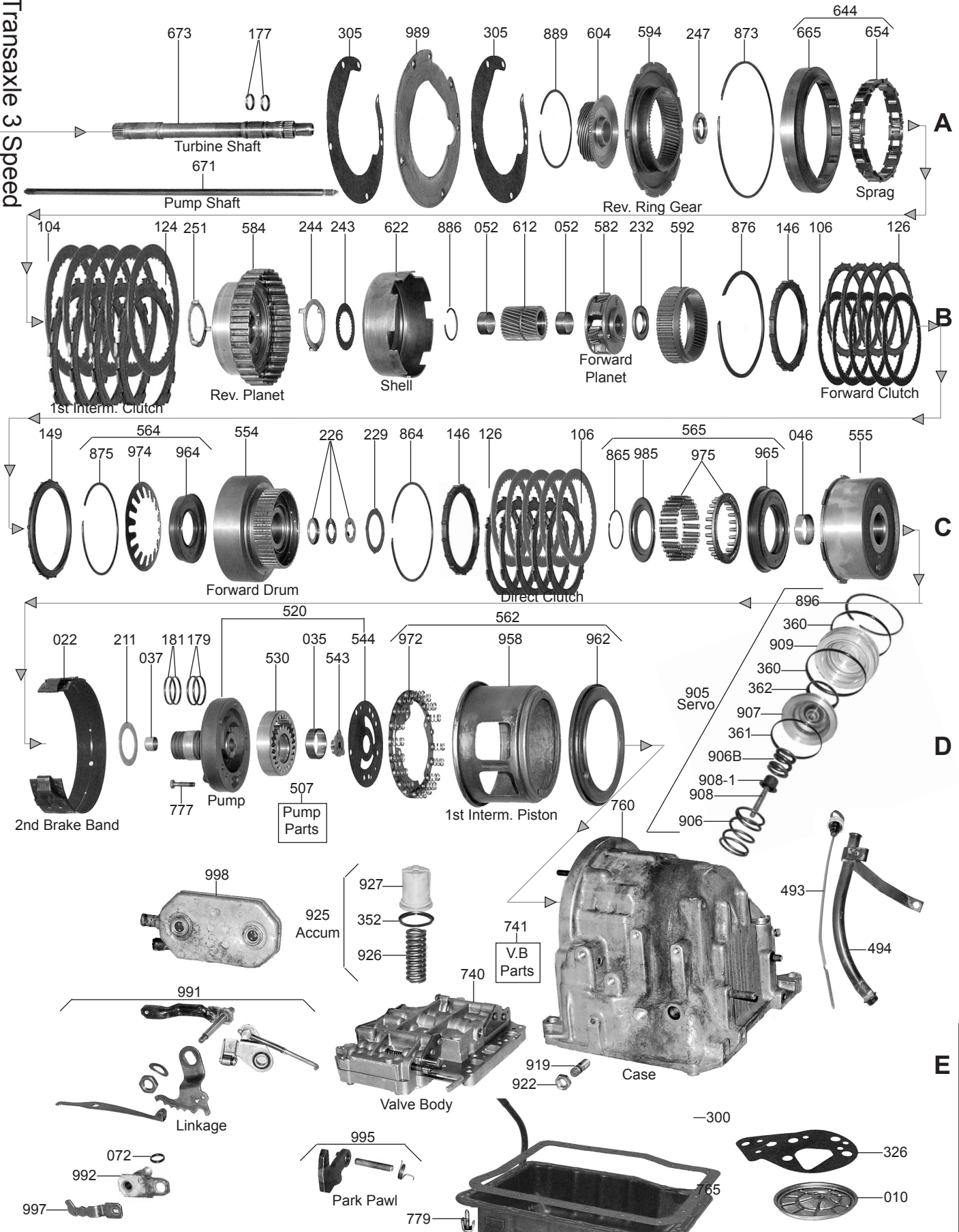
010 Differential



087 Differential



Transaxle 3 Speed



VW, Audi 010 / 087 / 089 / 090



Transaxle 3 Speed

| PART # | PAPER & RUBBER KIT | QTY. | REFERENCE # |
|--------|--|------|-------------|
| 65000 | Paper & Rubber Kit, 010/087/089/090 (Without Differential Seals) 1975-Up | 1 | |
| 65001D | Sub Kit, 090 (Vanagon) Use This Kit With 65002C/65004C/65006C Kit | 1 | |

| PART # | OVERHAUL KITS | QTY. | REFERENCE # |
|--------|--|------|-------------|
| 65002 | Overhaul Kit, 010/087/089/090 (Without Differential Seals) 1975-Up (For Bonded Pistons Sell A65962, A65962A, A65964 & A65965) | 1 | |
| 65002A | Overhaul Kit, 010 (With Differential Seals) 1975-Up (For Bonded Pistons Sell A65962, A65962A, A65964 & A65965) | 1 | |
| 65002B | Overhaul Kit, 087 (Audi 5000) (With Differential Seals) 1983-Up (For Bonded Pistons Sell A65962, 65962A, A65964 & A65965) | 1 | |
| 65002C | Overhaul Kit, 089 (Audi 4000) (With Differential Seals) 1976-Up (For 090 Vanagon Sell 65001D Also)(For Bonded Pistons Sell A65962, A65962A, A65964 & A65965) | 1 | |

| PART # | MASTER L/STEEL KIT | QTY. | REFERENCE # |
|---------|---|------|-------------|
| 65004 | Master L/Steels Kit, 010/087/089/090 (Without Differential Seals) 1975-Up (For Bonded Pistons Sell A65962, A65962A, A65964 & A65965) | 1 | |
| 65004A | Master L/Steels Kit, 010 (With Differential Seals) 1975-Up (For Bonded Pistons Sell A65962, A65962A, A65964 & A65965) | 1 | |
| 65004B | Master L/Steels Kit, 087 (Audi 5000) (With Differential Seals) 1977-82 (For Bonded Pistons Sell A65962, A65962A, A65964 & A65965) | 1 | |
| 65004BA | Master L/Steels Kit, 087 (Audi 5000) (With Differential Seals) 1983-Up (For Bonded Pistons Sell A65962, A65962A, A65964 & A65965) | 1 | |
| 65004C | Master L/Steels Kit, 089 (Audi 4000) (With Differential Seals) 1976-Up (For 090 Vanagon Sell 65001D Also)(For Bonded Pistons Sell A65962, A65962A, A65964 & A65965) | 1 | |

| PART # | MASTER W/STEEL KIT | QTY. | REFERENCE # |
|---------|---|------|-------------|
| 65006 | Master W/Steels Kit, 010/087/089/090 (Without Differential Seals) 1975-Up (For Bonded Pistons Sell A65962, A65962A, A65964 & A65965) | 1 | |
| 65006A | Master W/Steels Kit, 010 (With Differential Seals) 1975-Up (For Bonded Pistons Sell A65962, A65962A, A65964 & A65965) | 1 | |
| 65006B | Master W/Steels Kit, 087 (Audi 5000) (With Differential Seals) 1977-82 (For Bonded Pistons Sell A65962, A65962A, A65964 & A65965) | 1 | |
| 65006BA | Master W/Steels Kit, 087 (Audi 5000) (With Differential Seals) 1983-Up (For Bonded Pistons Sell A65962, A65962A, A65964 & A65965) | 1 | |
| 65006C | Master W/Steels Kit, 089 (Audi 4000) (With Differential Seals) 1976-Up (For 090 Vanagon Sell 65001D Also)(For Bonded Pistons Sell A65962, A65962A, A65964 & A65965) | 1 | |

| PART # | FILTER | QTY. | REFERENCE # |
|--------|---------------------------------------|------|--------------|
| 65010 | Filter 010/089 Rectangular 1975-76 | 1 | 010-325-421 |
| 65010A | Filter, 010/087/089/090 Round 1977-Up | 1 | 010-325-421A |

| PART # | BANDS | QTY. | REFERENCE # |
|--------|--|------|--------------|
| 65022 | Band, 010/087/089/090 1975-Up (Except 1983-Up Audi 5000) | 1 | 010-323-461C |
| 65022A | Band, 087 Audi 5000 1983-Up | 1 | |

| PART # | BUSHINGS | QTY. | REFERENCE # |
|--------|--|------|--------------|
| 65030 | Bushing Kit, 010/087/089/090 1975-Up | 1 | |
| 65031 | Bushing, 010/087/089/090 Converter Hub (Use 65035) | 1 | 003-323-611 |
| 65032 | Bushing, 010/087/089/090 Converter Reactor | 1 | 003-519-074 |
| 65035 | Bushing, 010/087/089/090 Inner Pump Gear (Also Fits Converter Hub) | 1-2 | 003-323-611 |
| 65037 | Bushing, 010/087/089/090 Pump Stator | 1 | 003-321-254 |
| 65046 | Bushing, 010/087/089/090 Direct Drum | 1 | 010-323-115 |
| 65052 | Bushing, 010/087/089/090 Sun Gear | 2 | 010-323-217A |

| PART # | METAL CLAD SEALS | QTY. | REFERENCE # |
|---------|--|------|--------------|
| 65070 | Seal, 010/087/089 Front (Except 090) 1975-Up | 1 | 010-409-568 |
| 165070 | Seal, 090 Front 1977-Up | 1 | 003-519-089D |
| 65075 | Seal, 010 Pinion Shaft (Rear) 1975-Up | 1 | 010-409-529C |
| 65075A | Seal, 087 Pinion Shaft (Front) 1979-Up | 2 | 087-409-085A |
| 65075AA | Seal, 089 Pinion Shaft (Front) 1976-Up | 1 | 089-409-085B |
| 65075B | Seal, 089 Pinion Shaft (Rear) 1975-79 | 2 | 089-409-529A |

VOLKSWAGEN



VW, Audi 010 / 087 / 089 / 090

Transaxle 3 Speed

| | | | |
|---------|--|---|--------------|
| 165075B | Seal, 010/090 Pinion Shaft (Front) 1975-4-Up | 1 | 010-409-085D |
| 65075C | Seal, 087 Pinion Shaft (Rear) 1979-Up | 2 | 087-409-529A |
| 65076 | Seal, 010 Axle (Both Sides) 1979-83 | 2 | 010-409-085 |
| 65076A | Seal, 010 Axle (Both Sides) 1984-Up | 2 | 020-301-189M |
| 65076B | Seal, 087/089/090 Axle (Both Sides) 1975-Up | 2 | 018-409-399 |
| 65079 | Seal, 087 Turbine Shaft 1984-Up | 1 | 087-323-559 |
| 65080B | Seal, 087/089 Governor Shaft 1977-Up | 1 | 087-409-133A |

| PART # | FRICITION CLUTCH | QTY. | REFERENCE # |
|--------|------------------|------|-------------|
|--------|------------------|------|-------------|

| | | | |
|---------|---|-----|--------------|
| 65104 | Friction, 010/087/089/090 1st Intermediate Clutch (.061") 1975-Up | 4-5 | 010-323-231 |
| 65106 | Friction, 010/087/089/090 Forward & Direct Clutch (.090") (4.75"OD) 1975-Up | 3-5 | 010-323-141C |
| 65106A | Friction, 010/087/089/090 Direct Clutch (.090") (5.00"OD) 1983-Up | 5 | 087-323-141A |
| 65106B | Friction, 010/087/089/090 Forward Clutch (.061")(4.75"OD)(With 1 Tooth Missing) 1975-Up | 3-5 | 010-323-241C |
| 65106D | Friction, 010 (Diesel) Forward Clutch (.061") (With 2 Teeth Missing) 1978-88 | 5 | 010-223-241B |
| 65119 | Friction Module, 010/087/089/090 1975-Up (Except 1983-Up Audi 5000) | 1 | |
| 65119BA | Friction Module, 087 Audi 5000 1983-Up | 1 | |

| PART # | STEEL CLUTCH | QTY. | REFERENCE # |
|--------|--------------|------|-------------|
|--------|--------------|------|-------------|

| | | | |
|--------|---|-----|--------------|
| 65124 | Steel, 010/087/089/090 1st Intermediate Clutch (.079") 1975-Up | 4-5 | 010-323-227A |
| 65126 | Steel, 010/087/089/090 Forward & Direct Clutch (.079") (17 Teeth) 1975-Up | 5-9 | 010-323-139 |
| 65126A | Steel, 087 Direct Clutch (.079") (53 Teeth) 1983-Up | 5 | 087-323-139 |

| PART # | CLUTCH PRESSURE PLATES | QTY. | REFERENCE # |
|--------|------------------------|------|-------------|
|--------|------------------------|------|-------------|

| | | | |
|--------|---|-----|--|
| 65146 | Pressure Plate, 010/087/089/090 Forward & Direct (Top) 1975-Up (Except 1983-Up Audi 5000) | 1-2 | |
| 64146A | Pressure Plate, 087 Direct (Top) Audi 5000 1983-Up | 1 | |
| 65149 | Pressure Plate, 010/087/089/090 Forward Clutch (Bottom) 1975-Up | 1 | |

| PART # | OIL SEALING RINGS | QTY. | REFERENCE # |
|--------|-------------------|------|-------------|
|--------|-------------------|------|-------------|

| | | | |
|-------|--|---|--------------|
| 65175 | Ring Kit, 010/087/089/090 1975-Up | 1 | |
| 65177 | Ring, 010/087/089/090 Input Shaft 1975-Up | 2 | 010-323-557A |
| 65179 | Ring, 010/087/089/090 Direct Clutch 1975-Up | 2 | 010-321-261 |
| 65181 | Ring, 010/087/089/090 Forward Clutch 1975-Up | 2 | 003-321-261 |

| PART # | WASHERS & BEARINGS | QTY. | REFERENCE # |
|--------|--------------------|------|-------------|
|--------|--------------------|------|-------------|

| | | | |
|--------|---|-----|---------------|
| 65211 | Washer, 010/087/089/090 Pump To Direct Drum (Metal) | 1 | 003-321-285 |
| 65211A | Washer, 010/087/089/090 Pump To Direct Drum (Plastic) | 1 | |
| 65226 | Washer, 010/087/089/090 Forward Drum To Pump | 1 | 003-323-165 |
| 65226A | Bearing, 010/087/089/090 Forward Drum To Pump | 1 | |
| 65229 | Washer, 010/087/089/090 Forward Drum To Direct Drum (3Metal, 3 Tab) | 1 | 003-323-161A |
| 65229A | Washer, 010/087/089/090 Forward Drum To Direct Drum (Plastic) | 1 | 003-323-161AP |
| 65232 | Bearing, 010/087/089/090 Forward Drum To Planet | 1 | |
| 65243 | Washer, 010/087/089/090 Drive Shell (29 Teeth Sun Gear) | 1 | 010-323-291A |
| 65243A | Washer, 010/087/089/090 Drive Shell (26 Teeth Sun Gear) | 1 | |
| 65243B | Washer, 010/087/089/090 Drive Shell (28 Teeth Sun Gear) | 1 | |
| 65244 | Washer, 010/087/089/090 Rear Planet To Shell (3 Tab) | 1 | |
| 65247 | Bearing, 010/087/089/090 Annulus Gear To Sun Gear | 1 | |
| 65251 | Washer, 010/087/087/090 Annulus Gear To Rear Planet (Metal, 4 Tab) | 1 | 010-323-291A |
| 65251A | Washer, 010/087/089/090 Annulus Gear To Rear Planet (Plastic) | 1 | |
| 65273 | Cup Race, 087 Pinion (Rear) | 1 | M88010 |
| 65273A | Cup Race, 087/089 Pinion (Front For 087) Front & Rear For 089 | 1-2 | M86610 |
| 65273B | Cup Race, 010 Pinion & Idler (Both Sides) | 4 | LM67010 |
| 65274 | Bearing, 087 Pinion (Rear) | 1 | M88048 |
| 65274A | Bearing, 087/089 Pinion (Front For 087) Front & Rear For 089 | 1-2 | M86649 |
| 65274B | Bearing, 010 Pinion & Idler (Both Sides) | 4 | LM67048 |
| 65288 | Cup Race, 087 Differential Carrier (Both Sides) | 2 | LM300811 |
| 65288A | Cup Race, 010/089 Differential Carrier (Both Sides) | 2 | LM29710 |
| 65289 | Bearing, 087 Differential Carrier (Both Sides) | 2 | LM300849 |
| 65289A | Bearing, 010/089 Differential Carrier (Both Sides) | 2 | LM29749 |

| PART # | GASKETS & RUBBER COMPONENTS | QTY. | REFERENCE # |
|--------|-----------------------------|------|-------------|
|--------|-----------------------------|------|-------------|

| | | | |
|-------|--|---|--------------|
| 65300 | Gasket, 010/087/089/090 Bottom Pan (Rubber) | 1 | 010-321-371B |
| 65303 | Lathe Cut Seal, 010/087/089/090 Differential housing To Case | 1 | 010-409-549B |
| 65305 | Gasket, 010/087/089/090 Transmission Plate To Differential | 2 | |

VOLKSWAGEN

VW, Audi 010 / 087 / 089 / 090



Transaxle 3 Speed

| PART # | GASKETS & RUBBER COMPONENTS (Continued) | QTY. | REFERENCE # |
|--------|---|------|-------------|
| 65326 | Gasket, 010/087/089/090 Round Filter To Valve Body | 1 | |
| 65359 | Gasket, 010/087/089/090 2nd Servo Piston (outer) | 1 | |
| 65368 | Gasket, 010/087/089/090 Speed-O Sleeve Without Cruise Control (.674"ID) | 1 | |
| 65368A | Gasket, 010/087/089/090 Speed-O Sleeve With Cruise Control (.799"ID) | 1 | |
| 44371A | Gasket, 010/087/089/090 Filler Tube | 1 | 6264902 |

| PART # | TECHNICAL MANUALS | QTY. | REFERENCE # |
|--------|-----------------------------------|------|-------------|
| 65400 | Technical Manual, 010/087/089/090 | 1 | 83-003010TM |

| PART # | HARD PARTS | QTY. | REFERENCE # |
|---------|--|------|--------------|
| 65520 | Stator W/Gears, 010/087/089/090 (Uses A Washer #226) | 1 | 010-321-241A |
| 65520A | Stator W/Gears, 010/087/089/090 (Uses A Bearing #226) Can Use 65520 | 1 | |
| 65529A | Converter Reactor, 087 (Need Cast #) | 1 | |
| 65529B | Converter Reactor, 089 (Need Cast #) | 1 | |
| 65529C | Converter Reactor, 010 | 1 | |
| 65543 | Flange, 010/087/089/090 Inner Pump Gear Drive | 1 | |
| 65544 | Pump Plate, 010/087/089/090 | 1 | 010-321-279 |
| 65554 | Drum, 010/087/089/090 Forward (3 Clutch) Washer Type | 1 | 010-323-205A |
| 65554A | Drum, 010/087/089/090 Forward (4 Clutch) Washer Type | 1 | 010-323-205E |
| 65554B | Drum, 010/087/089/090 Forward (5 Clutch) Bearing Type (Uses Flat Return Spring) | 1 | |
| 65554C | Drum, 010/087/089/090 Forward (3 Clutch) Bearing Type | 1 | |
| 65554D | Drum, 010/087/089/090 Forward (4 Clutch) Bearing Type | 1 | |
| 65554E | Drum, 087 Forward (5 Clutch) Bearing Type (Uses Wire Return Spring) | 1 | |
| 65555 | Drum, 010/087/089/090 Direct (4 Clutch) 17 Teeth Steels | 1 | 010-323-105B |
| 65555A | Drum, 010/087/089/090 Direct (3 Clutch) | 1 | 010-323-105E |
| 65555B | Drum, 010/087/089/090 Direct (4 Clutch) 51 Teeth Steels | 1 | |
| 65555C | Drum, 087 Direct (5 Clutch) (5.00"OD Frictions) 1983-Up | 1 | |
| 65582 | Planet, 010/087/089/090 Front (Uses 29 Teeth Sun Gear) | 1 | |
| 65582A | Planet, 010/087/089/090 Front (3 Gear) (26 Teeth Sun Gear) | 1 | |
| 65582AA | Planet, 010/087/089/090 Front (4 Gear) (26 Teeth Sun Gear) | 1 | |
| 65582B | Planet, 010/087/089/090 Front (3 Gear) (28 Teeth Sun Gear) | 1 | 090-323-805 |
| 65582BA | Planet, 010/087/089/090 Front (4 Gear) (28 Teeth Sun Gear) | 1 | |
| 65584 | Planet, 010/087/089/090 Rear (Uses 29 Teeth Sun Gear) | 1 | |
| 65584A | Planet, 010/087/089/090 Rear (3 Gear) (Uses 26 Teeth Sun Gear) | 1 | |
| 65584AA | Planet, 010/087/089/090 Rear (4 Gear) (Uses 26 Teeth Sun Gear) | 1 | |
| 65584B | Planet, 010/087/089/090 Rear (3 Gear) (Uses 28 Teeth Sun Gear) | 1 | |
| 65584BA | Planet, 010/087/089/090 Rear (4 Gear) (Uses 28 Teeth Sun Gear) | 1 | |
| 65592 | Ring Gear, 010/087/089/090 Front Planet With Hub (Uses 29 Teeth Sun Gear) | 1 | |
| 65592A | Ring Gear, 010/087/089/090 Front Planet With Hub (Uses 26 Teeth Sun Gear) | 1 | |
| 65592B | Ring Gear, 010/087/089/090 Front Planet With Hub (Uses 28 Teeth Sun Gear) | 1 | |
| 65594K | Ring Gear With Hub, 010/087/089/090 Rear Annulus (Uses 29 Teeth Sun Gear) | 1 | |
| 65594AK | Ring Gear With Hub, 010/087/089/090 Rear Annulus (Uses 26 Teeth Sun Gear) | 1 | |
| 65594BK | Ring Gear With Hub, 010/087/089/090 Rear Annulus (Uses 28 Teeth Sun Gear) | 1 | |
| 65612 | Sun Gear, 010/087/089/090 (29 Teeth) | 1 | 010-323-285 |
| 65612A | Sun Gear, 010/087/089/090 (26 Teeth) | 1 | 010-323-285E |
| 65612B | Sun Gear, 010/087/089/090 (28 Teeth) | 1 | |
| 65622 | Shell, 010/087/089/090 Driving (Uses 29 Teeth Sun Gear) | 1 | |
| 65622A | Shell, 010/087/089/090 Driving (Uses 26 Teeth Sun Gear) | 1 | |
| 65622B | Shell, 010/087/089/090 Driving (Uses 28 Teeth Sun Gear) | 1 | |
| 65622CA | Shell, 087 Driving (Uses 28 Teeth Sun Gear) (For Large Diameter Direct Drum) 1983-Up | 1 | |

| PART # | SPRAGS & ONE WAY CLUTCHES | QTY. | REFERENCE # |
|--------|---|------|-------------|
| 65644 | Sprag Assembly, 010/087/089/090 (With Lugs On OD Of Outer Race) | 1 | |
| 65644A | Sprag Assembly, 010/087/089/090 (No Lugs On OD Of Outer Race) | 1 | |
| 65654 | Sprag, 010/087/089/090 | 1 | |
| 65665 | Outer Race, 010/087/089/090 Sprag (With Lugs On OD) | 1 | |
| 65665A | Outer Race, 010/087/089/090 Sprag (No Lugs On OD) | 1 | |

| PART # | HARD PARTS (Continued) | QTY. | REFERENCE # |
|--------|--|------|-------------|
| 65671 | Pump Shaft, 010 Oil Pump (13 7/8") | 1 | |
| 65671A | Pump Shaft, 087 Oil Pump (20 1/8") | 1 | |
| 65671B | Pump Shaft, 089 Oil Pump (19 5/16") | 1 | |
| 65671C | Pump Shaft, 090 Oil Pump (21") | 1 | |
| 65671D | Pump Shaft, 087/089 Oil Pump (18 7/8") | 1 | |

VOLKSWAGEN



VW, Audi 010 / 087 / 089 / 090

Transaxle 3 Speed

| | | | |
|---------------|--|---------|--------------|
| 65673..... | Turbine Shaft, 010 Main (10 3/8") | 1 | |
| 65673A | Turbine Shaft, 089 Main (15 3/4") | 1 | |
| 65673B | Turbine Shaft, 087 Main (16 5/8") | 1 | |
| 65673C | Turbine Shaft, 090 Main (18") | 1 | |
| 65673D | Turbine Shaft, 087 (16 5/8") With Seal .590"ID | 1 | |
| 65673E | Turbine Shaft, 087/089 Main (15 3/8") | 1 | |
| 65680A | Governor Assembly, 010 (18 Teeth) Aluminum Body 1975-82 | 1 | |
| 65680AA | Governor Assembly, 010 (18 Teeth) Late-Steel 1983-Up | 1 | 090-035-041 |
| 65680B | Governor Assembly, 089 (13 Teeth) Aluminum Body 1975-82 | 1 | 089-325-041B |
| 65680BA | Governor Assembly, 089 (13 Teeth) Late-Steel 1983-Up | 1 | |
| 65680C | Governor Assembly, 087 (16 Teeth) Aluminum Body 1975-82 | 1 | 087-325-041 |
| 65680CA | Governor Assembly, 087 (16 Teeth) Late-Steel 1983-Up | 1 | |
| 65740..... | Valve Body, 010/087/089/090 (Cast # 283D) | 1 | |
| 65740A | Valve Body, 010/087/089/090 (Cast # 283E) | 1 | |
| 65740B | Valve Body, 010/087/089/090 (Cast # 283F) | 1 | |
| 65740C | Valve Body, 010/087/089/090 (Cast # 283G) | 1 | |
| 65740D | Valve Body, 010/087/089/090 (Cast # 283J) | 1 | |
| 65760..... | Case, 010/087/089/090 (Cast # 105) | 1 | |
| 65760A | Case, 010/087/089/090 (Cast # 105B) | 1 | |
| 65760B | Case, 010/087/089/090 (Cast # 106D) | 1 | |
| 65765..... | Pan, 010/087/089/090 (With Filler Tube In Case) | 1 | |
| 65765A | Pan, 010/087/089/090 (With Filler Tube In Pan) | 1 | |
| 65864..... | Snap Ring, 010/087/089/090 Holds Direct Clutch Pressure Plate In | 1 | |
| 65865..... | Snap Ring, 010/087/089/090 Holds Direct Retainer In Drum | 1 | |
| 65873..... | Snap Ring, 010/087/089/090 Holds Rear Ring Gear In Case | 1 | |
| 65875..... | Snap Ring, 010/087/089/090 Holds Forward Return Spring In Drum | 1 | |
| 65876..... | Snap Ring, 010/087/089/090 Holds Forward Clutch Pressure Plate In | 1 | |
| 65885..... | Snap Ring, 010/087/089/090 Holds Low/Reverse Pressure Plate In Case | 1 | |
| 65896..... | Snap Ring, 010/087/089/090 Holds Servo Cover In | 1 | |
| 65905..... | Servo Assembly, 010/087/089/090 | 1 | |
| 65906..... | Spring, 010/087/089/090 Servo | 1 | |
| 65907..... | Piston, 010/087/089/090 Servo | 1 | |
| 65909..... | Cover, 010/087/089/090 Servo | 1 | |
| 65919..... | Bolt, 010/087/089/090 Band Adjusting | 1 | |
| 65922..... | Nut, 010/087/089/090 Band Adjusting | 1 | |
| 65925..... | Accumulator Assembly, 010/087/089/090 | 1 | |
| 65926..... | Spring, 010/087/089/090 Accumulator | 1 | |
| 65927..... | Piston, 010/087/089/090 Accumulator (Late Type) Molded Rubber | 1 | 003-325-405C |
| 65927A | Piston, 010/087/089/090 Accumulator (Early Type) With Lip Seal | 1 | |
| 65958..... | Tube, 010/087/089/090 1st Intermediate Clutch Apply | 1 | |
| 65962..... | Piston, 010/087/089/090 1st Intermediate Clutch (Without Check Ball) Molded Rubber | 1 | 010-323-479A |
| 65962A | Piston, 010/087/089/090 1st Intermediate Clutch (With Check Ball) Molded Rubber | 1 | 010-323-512A |
| 65964..... | Piston, 010/087/089/090 Forward Clutch (Molded Rubber) | 1 | 010-323-217A |
| 65965..... | Piston, 010/087/089/090 Direct Clutch (Molded Rubber) | 1 | 010-323-121B |
| 65972..... | Retainer W/Spring, 010/087/089/090 Intermediate Clutch | 1 | |
| 65974..... | Spring, 010/087/089/090 Diaphragm Forward Clutch (8 Lug) | 1 | 010-323-229D |
| 65974A | Spring, 010/087/089/090 Diaphragm Forward Clutch (16 Lug) | 1 | 010-323-229C |
| 65974B | Spring, 087 Diaphragm Forward Clutch (Wire Type) | 1 | |
| 65975..... | Spring, 010/087/089/090 Direct Clutch Return | 1 | |
| 65985..... | Retainer, 010/087/089/090 Intermediate | 1 | |
| 65989..... | Plate, 010/087/089/090 Intermediate | 1 | |
| 65991..... | Linkage Assembly, 010/087/089/090 | 1 | |
| 65995..... | Park Pawl Assembly, 010/087/089/090 | 1 | |
| 65998..... | Cooler, 010/087/089/090 External (Cast #) | 1 | |

VOLKSWAGEN